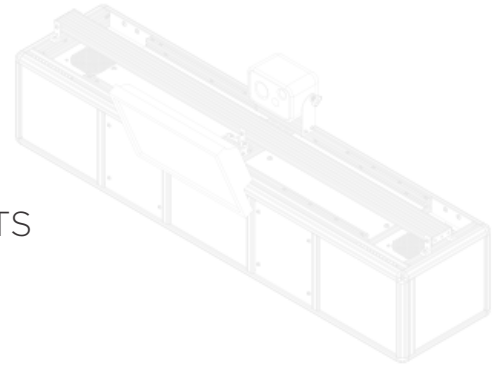
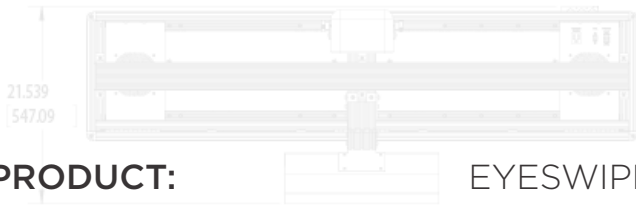


PRODUCT CERTIFICATIONS



PRODUCT: EYEWIPE-NANO TS

MODEL NUMBER: ES-N

STANDARDS MET

ISO: ISO/IEC 19794-6: B1 (MAGNIFICATION STANDARD); B2-13

FCC: CFR, TITLE 47, CHAPTER I, PART 15 SUBPART B (USA)

UL: UL-60950-1; UL-294; UL-SUBJECT-294B

CE: 2006/95/EC(12) 2004/108/EC

OPTICAL SAFETY: CIE STANDARD S009/E-2002; IEC 62471/CIES009-2006

